

# ASIN Spa





# General safety information

This user manual contains basic information that should be observed during assembly, start-up, operation, and maintenance. Therefore, this user manual must be read by installers and operators prior to assembly and start-up, and must be accessible to every user of this unit. Additionally, all further safety information in this document absolutely must be observed. Read and follow all instructions. In order to minimize the danger of injury, do not allow children to use this product. Hazards from non-compliance with safety information. Non-compliance with safety information can result in hazards to persons, the environment, and the equipment. Non-compliance with safety information will result in a forfeit of any potential right to damage compensation.

## Insufficient personnel qualification

Hazards in the event of insufficiently qualified personnel,  
potential consequence: Injury, heavy material damage.

- The system operator must ensure compliance with the required qualification level.
- Any and all work may only be performed by correspondingly qualified personnel.
- Access to the system must be prevented for insufficiently qualified persons, e.g. via access codes and passwords.

## Potential overdosing of chemical agents

Despite ASIN Spa® comprehensive safety functions, it is possible that a probe failure and other errors could lead to an overdosing of chemical agents. Potential consequence: Injury, heavy material damage.

- Design your installation such that uncontrolled dosage is not possible in the event of a probe failure or other errors, and/or such that uncontrolled dosage is recognized and halted before damage is incurred.
- Uncontrolled overdose of chemicals can cause harm to health and property. Even though the device contains a number of security elements can not be ruled out that in case of failure of the measuring probes, or the whole device may result in overdose of chemical agents. Install the equipment so that uncontrolled overdose of chemicals was not possible and that uncontrolled overdose has been detected in time before causing any harm. It is necessary to use chemicals in such quantities that an overdose will not cause dangerous concentration of chemical agents. Do not use chemicals in too large packages or with too high concentration.

## Gaseous chlorine produced from dosing in standing water if dosing outputs are not closed via the filter pump

If the flow switch is stuck or experiences another error, there is a risk of dosing into standing water. Poisonous chlorine gas can be yielded when sodium hypochlorite and pH minus come together.

## Non compliance with informational text

There is a great deal of informational text indicating hazards and their avoidance. Not observing informational text may lead to hazards. Potential consequence: gravest degree of injury, heavy material damage.

- Read all informational text carefully.
- Cancel the process if you are unable to exclude all potential hazards.

## Use of new functions

Because of the continued development, a ASIN Spa® unit may contain functions, which are not completely described in this version of the user manual. The use of such new or extended functions without a profound and secure understanding by the operator may result in malfunctions and severe problems. Potential consequence: Injury, heavy material damage.

- Make sure to get a profound and secure understanding of a function and relevant boundary conditions, before you start to use it.
- Check for an updated version of the user manual or additional documentation available for the relevant functions.
- Make use of the integrated help function of the ASIN Spa® to get detailed information on functions and their parameter settings.
- In case it should not be possible to get a profound and secure understanding of a function based on the available documentation, do not use this function.

## Overdosing if pH value is wrong

If disinfection is enabled before the pH value is stable in the ideal range of 7.0 to 7.4, then it may lead to heavy overdosing of chlorine or bromine. Potential consequence: Injury, heavy material damage.

- Do not start disinfection with chlorine until the pH value is stable in the ideal range between 7.0 and 7.4.

## Conditions before using

Make sure you have a newest and updated version of the user manual and other documentation for all functions of the unit. Use and read the integrated help features. In case of not understanding the information about certain features of the unit, do not use these features.

## Handling chemicals for pool water treatment

The chemicals used with the ASIN Spa must be handled in a safe manner to prevent damage or personal harm. Aseko recommends you always use personal protective safety equipment when handling the pH and chlorine agents. Refer to the Materials Safety Data Sheet (MSDS).

**WARNING:** Never mix the pH agent with the chlorine agent. When carrying out maintenance on the clear plastic tubes or valves always rinse with clean water to prevent mixing of the pH and chlorine agents.



# What's in the box



ASIN Spa

Peristaltic pumps  
#12093

Injection valve 2 pcs  
#12005



Suction tube weight 2 pcs  
#12023



PE Tube 1/4" (6.35 mm)  
transparent  
#12008



Dowels and screws  
#12125



# Available optional accessories

OX Tester #12177



Inserting DN50 plug 1/4" threaded for easy installation #12134



Coagulation mixer for POLY PURE, improves filtration efficiency # 30001



# ASEKO original chemical solution

Volume 20 l

Volume 5 l

OXY PURE #13038

POLY PURE #13310

OXY PURE #13039

POLY PURE #13311



POOL HELP Superchlor #13120

POOL & SPA BALANCER #13345

POOL & SPA MAGNESIUM (PREMIUM) #13346





## ASIN Spa

Chlorine-free water treatment system suitable for whirlpools and smaller pools. The function is based on the dosing of two Pool & SPA chemicals.



### OXY Pure

#13038

Provides the oxygen supply to the water and thus its sparkling appearance.

### POLY Pure

#13310

Perfectly filters even the finest dirt.



### Dosing of chemicals does not affect the pH value

Before commissioning, we recommend adjusting the pH with **Pool & SPA BALANCER** # 13345 to a value of around 7.2.

In operation, the pH of the water can range from 6.0 to 7.8 without affecting functionality.

The device does not use any probes, dosing is timed. It does not have a control flow meter and must therefore be switched together with the filter pump.



### OX Tester

An occasional check of the active oxygen level is required with **OX Tester** # 12177.



### Sanitation

The chemical products used are not BIOCIDES. It is therefore necessary to perform sanitation of the pool water with the inorganic active chlorine **POOL HELP Superchlor** #13120 at regular intervals (once a month).



### Pool & SPA MAGNESSIUM

ASIN SPA technology allows the use of the relaxation product **POOL & SPA MAGNESIUM (PREMIUM)** # 13346.

# ASIN Spa Installation

ASIN Spa is to be wall mounted in dry and dust-free environment with temperature ranging from +5 °C to +40 °C. The location must be selected so that there is at least 30 cm of free space on all sides and a height above the floor was max. 150 cm. Use the screws supplied with ASIN Spa for fastening.

## WARNING

The temperature at the installation site should be permanently between **+5 ° and + 40 ° C**. Humidity max **70% RH**.

Direct sunlight, high humidity and dust can lead to damage ASIN Spa.

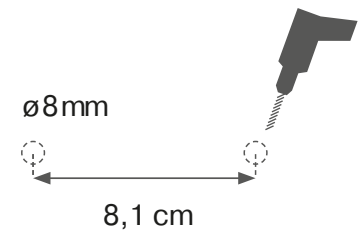
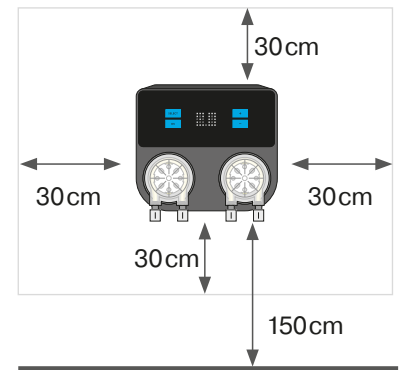
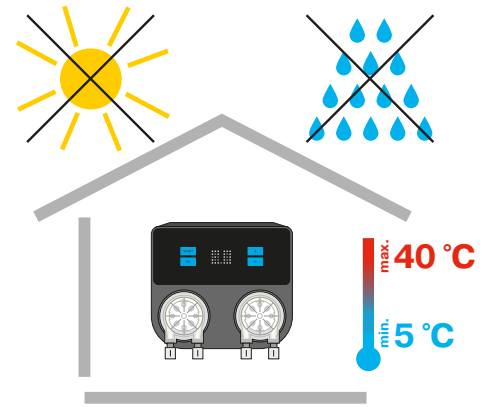
## SWIMMING POOL WATER

ASIN Spa must be installed on **fresh water** treated by **INORGANIC** superchlorination agent (**SUPERCHLOR # 13120**).

**Do not use organic chlorine!**

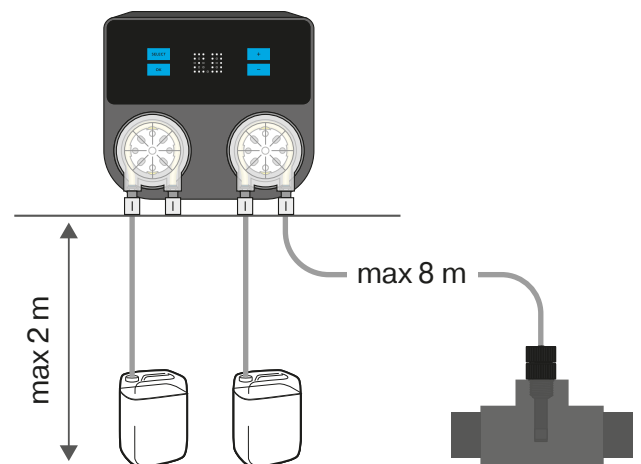
Ensure that the water in the pool **DOES NOT CONTAIN STABILIZERS (CYANURIC ACID)** and other impurities!

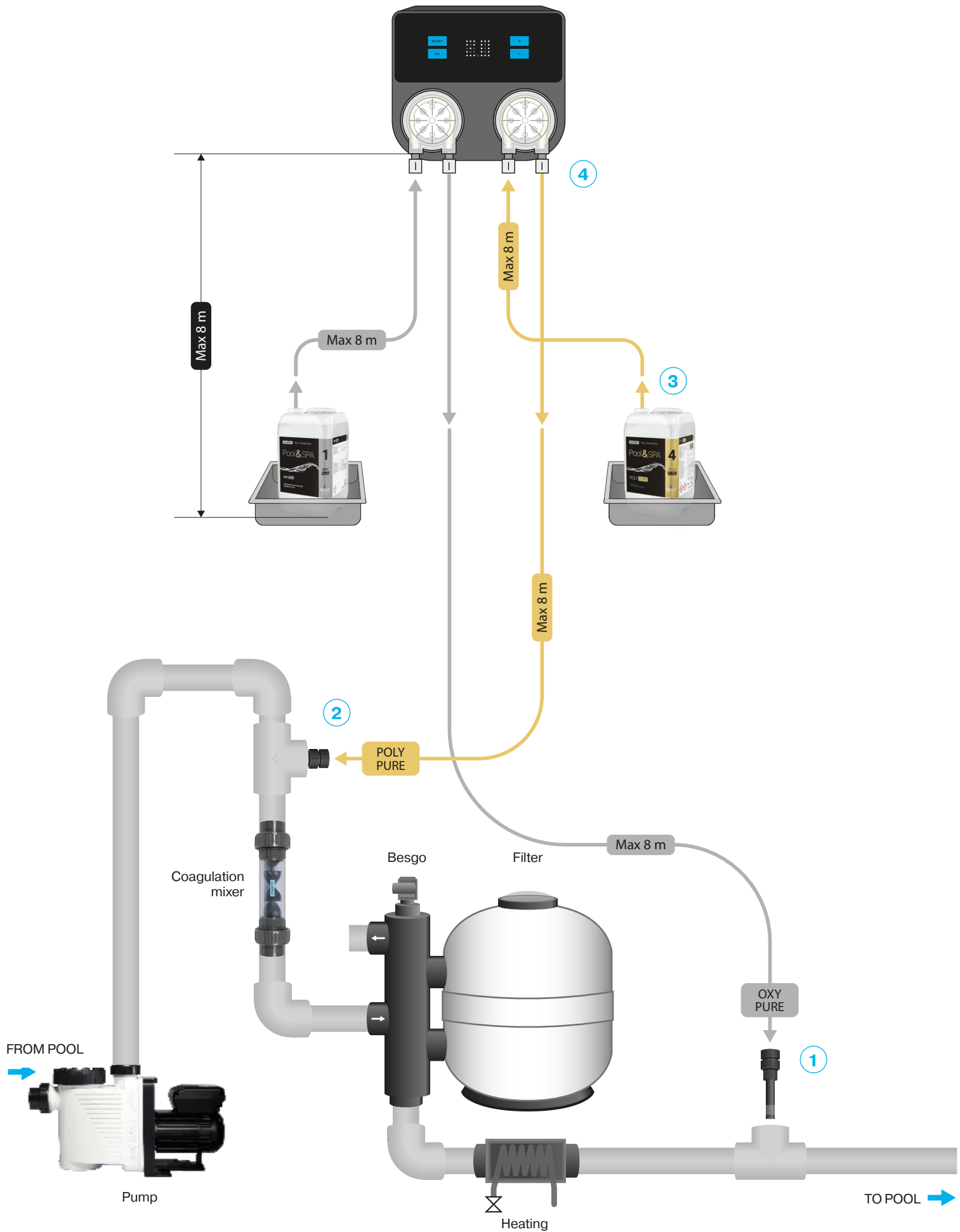
We recommend adjusting the water to a pH value of approx. 7.2 with **POOL & SPA BALANCER # 13345**.



**Maximum distance of injection valves** from peristaltic ASIN Spa pumps must not exceed **8 m**.

**Vertical distance between ASIN Spa and the bottom** of the tanks must not exceed a distance of **2 m**.







# Pool Chemicals Connection

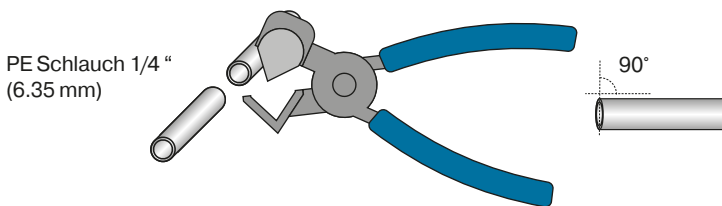
Screw the **injection valves** into the plug D = 50 with thread G1 / 4 " # 12134, glued to the T-piece. **Tighten by hand only. Do not use pliers or other tools.**

- 1 Connect the **OXY PURE INJECTION VALVE** to the piping behind the filter and behind drainage of the measured water.
- 2 Connect the **POLY PURE INJECTION VALVE** behind the INJECTION VALVE, this prevents scale formation.

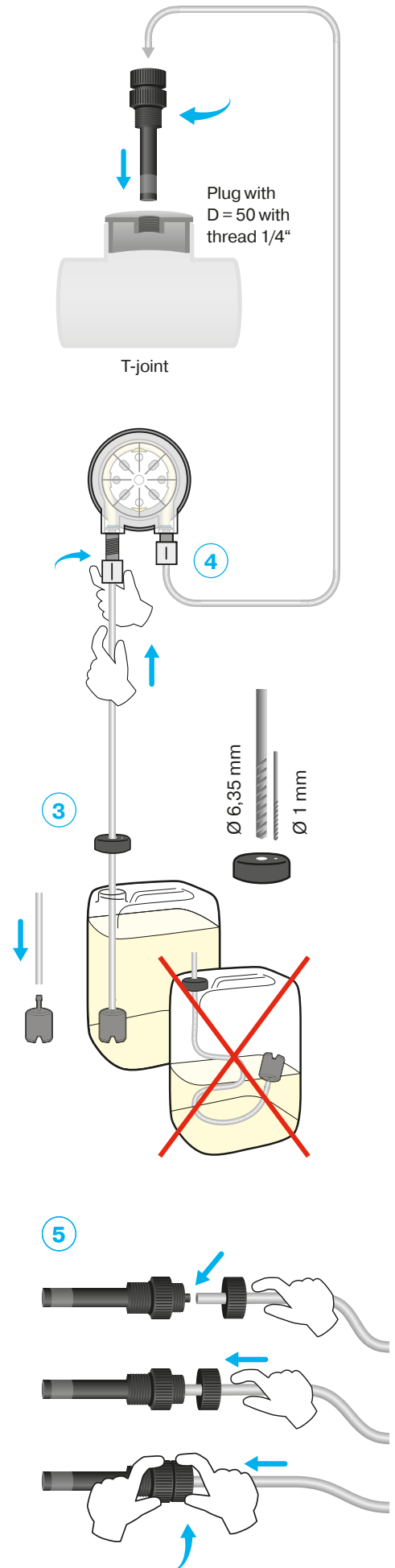
to connect reagents to ASIN Spa use PE pipe 1/4 " (6.35 mm) # 12008, which is part of the delivery.

## WARNING

To ensure that the joints are tight, cut the PE tube at an angle of 90°. Use special pliers # 13325 to cut plastic tubes. The cut must be clean and smooth. Do not use ordinary scissors or knives!



- 3 **CANISTER CONNECTION** Drill 6.35 mm and 1 mm diameter holes in the canister cap. Pass the pipe through the cap so that it reaches to the bottom of the canister. Place the suction basket at the end of the pipe.
- 4 **PUMP CONNECTION** connect the suction of the pump on the left to the canister connect the pump discharge on the right to the injection valve.
- 5 **INJECTION VALVE CONNECTION** Pass the pipe through the nut, thread the pipe onto the injection valve and tighten the nut firmly by hand.

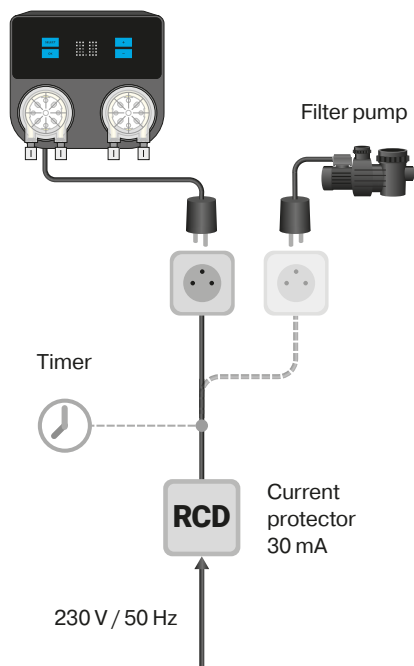




## Power Supply

### Connection to the mains:

Connect the 230 V / 50 Hz main cable to ASIN Spa .



**The mains socket outlet must be protected by a residual current device (RCD).**

After device has been switched on, the display will come on and the ASIN Spa starting screen will appear.

### Disconnection from the mains:

Disconnect the ASIN Spa mains cable from the 230 V / 50 Hz socket outlet.

## WARNING

If device is used in the manner different from that specified by the manufacturer, protection provided by device may get damaged.

Power supply	230 V / 50 Hz
Power consumption	14 VA
Fuse	T100 mA
Over-voltage category	II
Ingress protection	IP50
Operation temperature	+5 bis +40°C / 60%
Weight	2,2 kg
Installation:	Wall mounted
Discharge of dosing pump OXY PURE	60 ml/min. / max 1 bar
Discharge of dosing pump POLY PURE	10 ml/min. / max 1 bar

# Installation Test

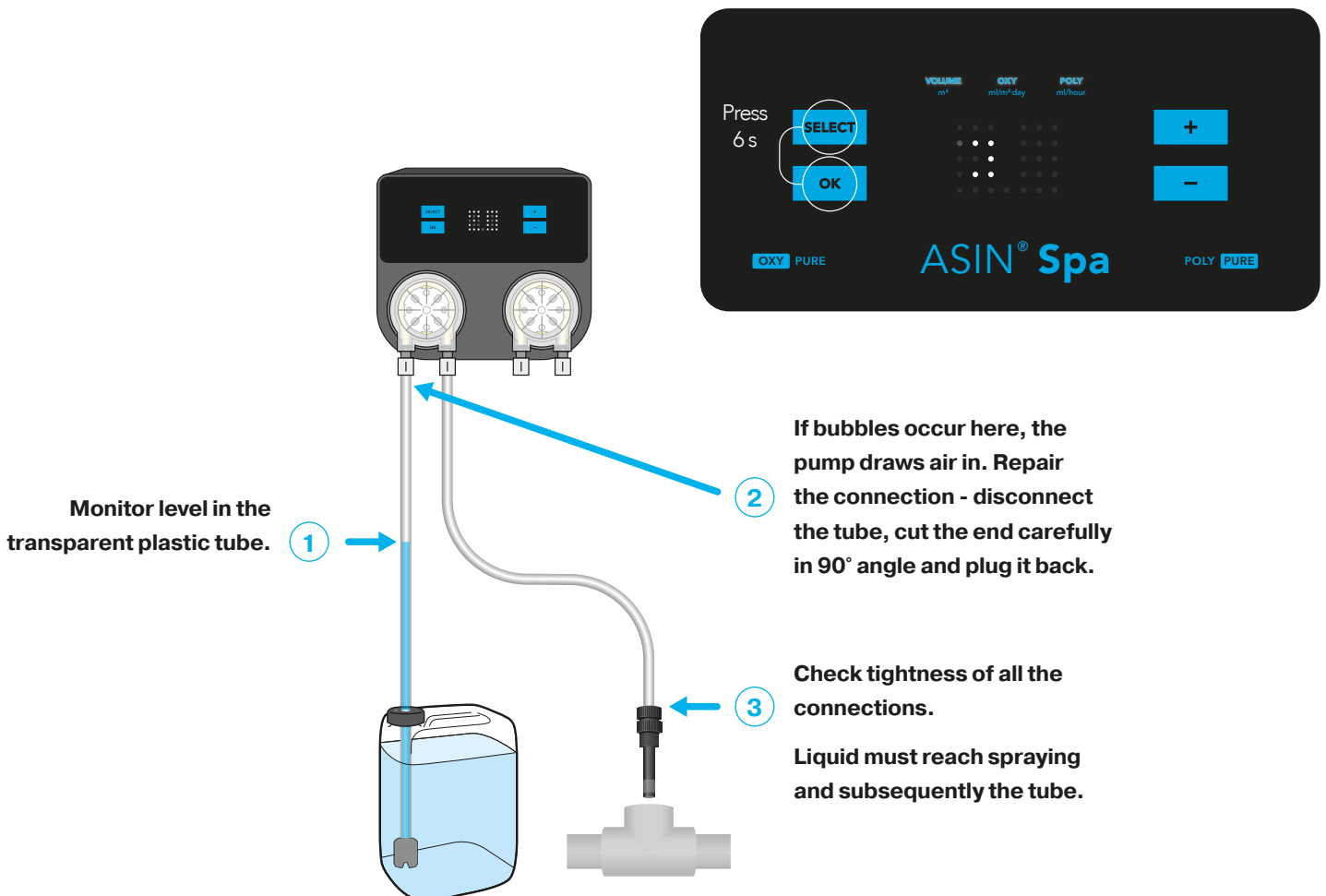
Before commencing the operation, test ASIN Spa installation.  
Most problems result from incorrectly performed installation.

## Test

In the “Test of Outputs” menu, gradually start all the pumps and while they are running, check tightness of all the PE tube connections. Check the injecting valves for blockage and air bubbles in the PE tube.

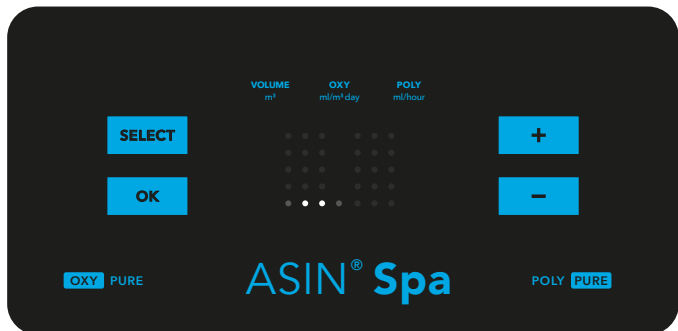
### WARNING

**Any obstacles, bubbles or leaks in the connecting tube will prevent ASIN Spa from correct operating.** The clear plastic tube allows you to monitor flow of liquid to the injecting valves.

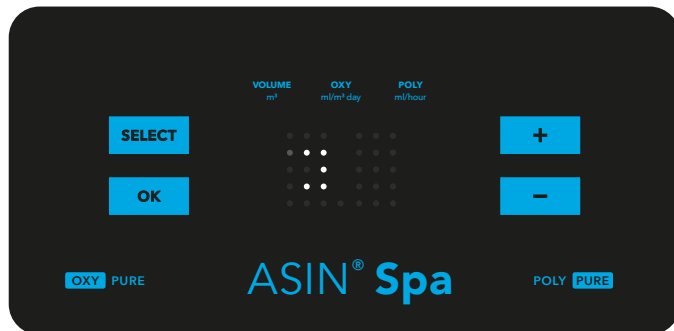


# STANDARD OPERATION

Operation – standby

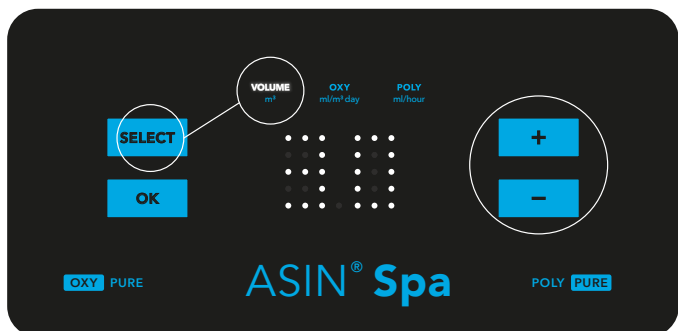


Operation – dosing OXY PURE

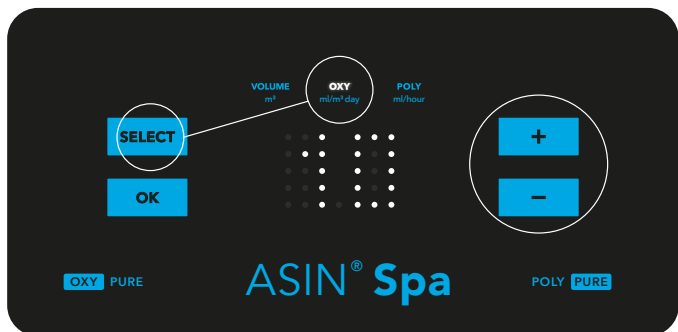


# SETTINGS

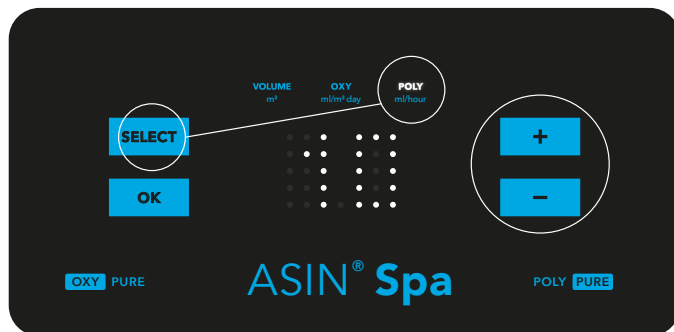
Set pool volume



Set OXY PURE dose ml/m3 day

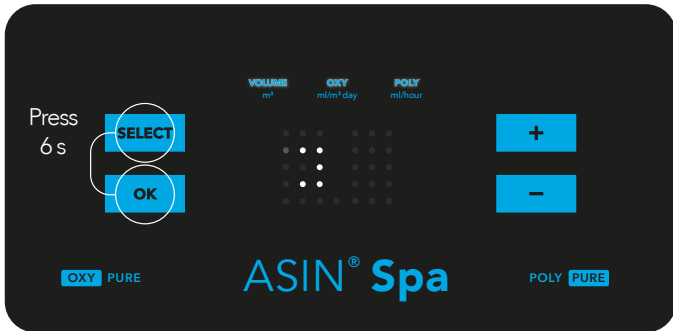


Set POLY PURE dose (ml/h)

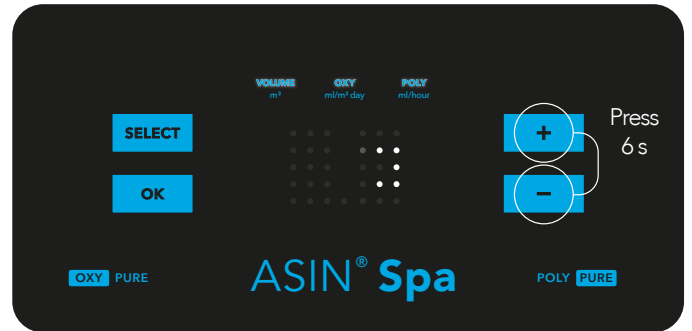


## TEST (in Operation – standby)

Dosing test OXY PURE

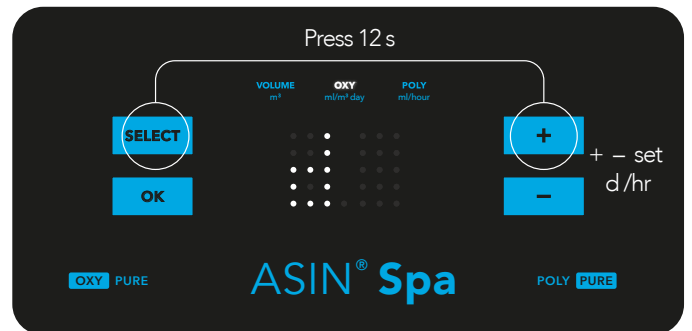
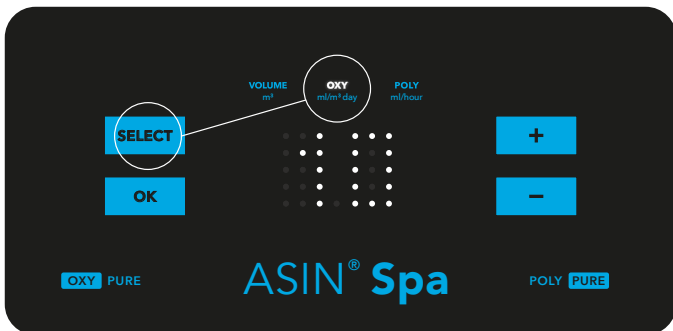


Dosing test POLY PURE



## CHANGE TYPE OF DOSING OXYPURE (day/hour)

Set OXY PURE dose ml/m<sup>3</sup> day/hour



# ASIN Spa maintenance

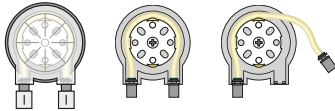
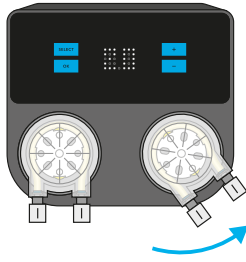
To ensure the optimum efficiency, perform visual checks and maintenance of ASIN Spa on a regular basis.

## Pump Hose Replacement

To prevent the pump from failing, it is recommended to replace the hose #12073 every 24 months.

**In doing so, proceed as follows:**

- Switch off ASIN Spa.
- Turn the pump cover cassette counterclockwise and take it out of ASIN Spa.
- Release both hose ends and take it out of the cassette.
- Lubricate the new hose with the supplied special grease.
- Insert the lubricated hose into the cassette.
- Place the cover cassette back on ASIN Spa and turn it clockwise to lock it.
- Use new nuts, which are part of the replacement hose set, for connection of the PE tube.



#12073 Replacement tube kit for PP 60



#12005 Injection valve



#13087 Injection valve replacement flap



## Injection Valve Maintenance

On a regular basis, check throughput of the injection valves, rubber band integrity, remove scale.

In case of private pools, replace injection valve rubber bands every 2 years.

In case of public pools, replace injection valve rubber bands every year.





USER'S MANUAL

# ASIN Spa

